



TECNİK
GAIN CONTROL

UNICON 4000 SERIES



BALL VALVES

URL : www.tecnikvalves.com
E-mail: sales@technik.in

UNICON 4000 SERIES : BALL VALVE



TECNİK's UNICON 4000 Series Ball Valves are reliable, easy to operate designed for on-off and throttling applications. The selection is based on pressure, temperature and process medium such as oil, water, gas and corrosive chemicals.

APPLICATION :

- Caustic chlorine plants
- Chemical and petrochemical industry
- Dyes and pigments
- Hazardous fluids, Acids & alkalis
- Pesticides
- Edible oil plant
- Pharmaceuticals
- Solvents & Paint industry

KEY FEATURES :

- Full bore offers high Cv value equal to the line size.
- Excellent tightness over an extensive range of temperature and pressure.
- Precision machined ball and seat for bubble tight shut-off.
- The self-adjusting packing is maintenance free and helps provide a leak-free stem seal.
- Specific anti blow-out shaft design which cannot be affected by the media according to API 609.
- Direct mounting according to ISO 5211.
- Conforming to ANSI, API & NACE specifications qualify these valves for virtually all oil & gas services.



PRODUCT SPECIFICATION :

- 1/2" to 12" (DN 15 to 300)
- Body Rating : ASME B16.5, CLASS 150# & 300#
- Body Material : WCB, CF8, CF8M, CF3, CF3M (other materials on request)
- Leakage Class : VI (Soft Seated)
- Flow Characteristics : Throttling, ON-OFF
- Temperature Range : -30 °C to 200 °C
- End Connection : Flanged (RF), Screwed (Up to NPS 2"), BW, SW

DESIGN STANDARD :

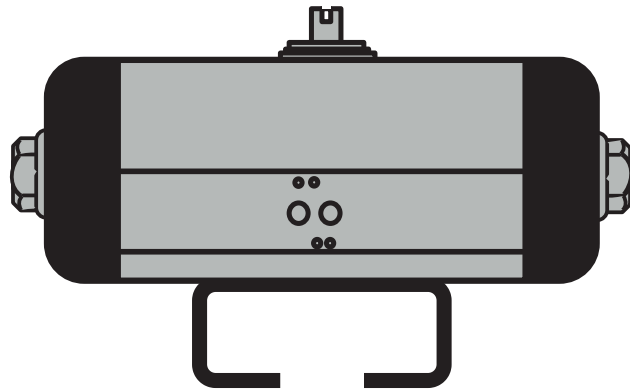
- Design Standard : BS EN ISO 17292 / BS 5351 / API 6D
- Testing Standard : BS EN 12266-1 & 2 (2003) / API 598 / BS 6755 Part-1
- Face to Face : ASME B16.10
- Top Flange : ISO 5211
- Flange Fitting : ASME B16.5
- Fire Testing : API 607 / API 6FA / BS 6755 Part - 2

DESIGN FLEXIBILITY :

- Actuated by Electric or Pneumatic.
- Every valve has a mounting pad according to ISO 5211 which simplifies the mounting of any actuator built to this standard.
- Comply with NACE MR 01-75 requirements.
- Anti blow-out shaft design, located in the dry area of the valve and therefore unaffected by the media.
- Flexible and corrosion resistant virgin PTFE packing ensures a leak free stem seal.
- The energized seats keep in constant contact with the ball under all operating condition. and tear on the seats is reduced, resulting in an increased operating life.
- Full bore design resulting in high Cv value, especially required when high viscosity liquids have to be controlled.
- Cavity filled ball valve are also available.

ACTUATOR TYPE :

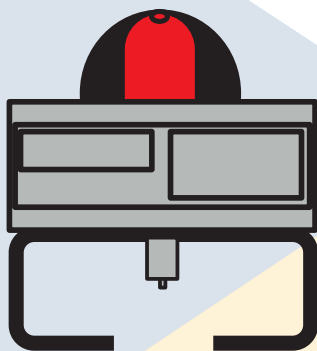
- Rack and pinion type Actuator
- Scotch Yoke Actuator
- Pneumatic diaphragm Actuator
- Electrical Actuator



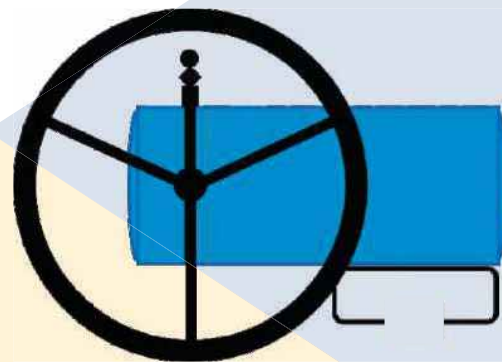
Actuator Operated

ACCESSORIES :

- Pneumatic valve positioner
- Electro - Pneumatic valve positioner
- Air filter regulator
- Solenoid valve
- Limit switches
- Side mounted handwheel
- Other accessories available on request

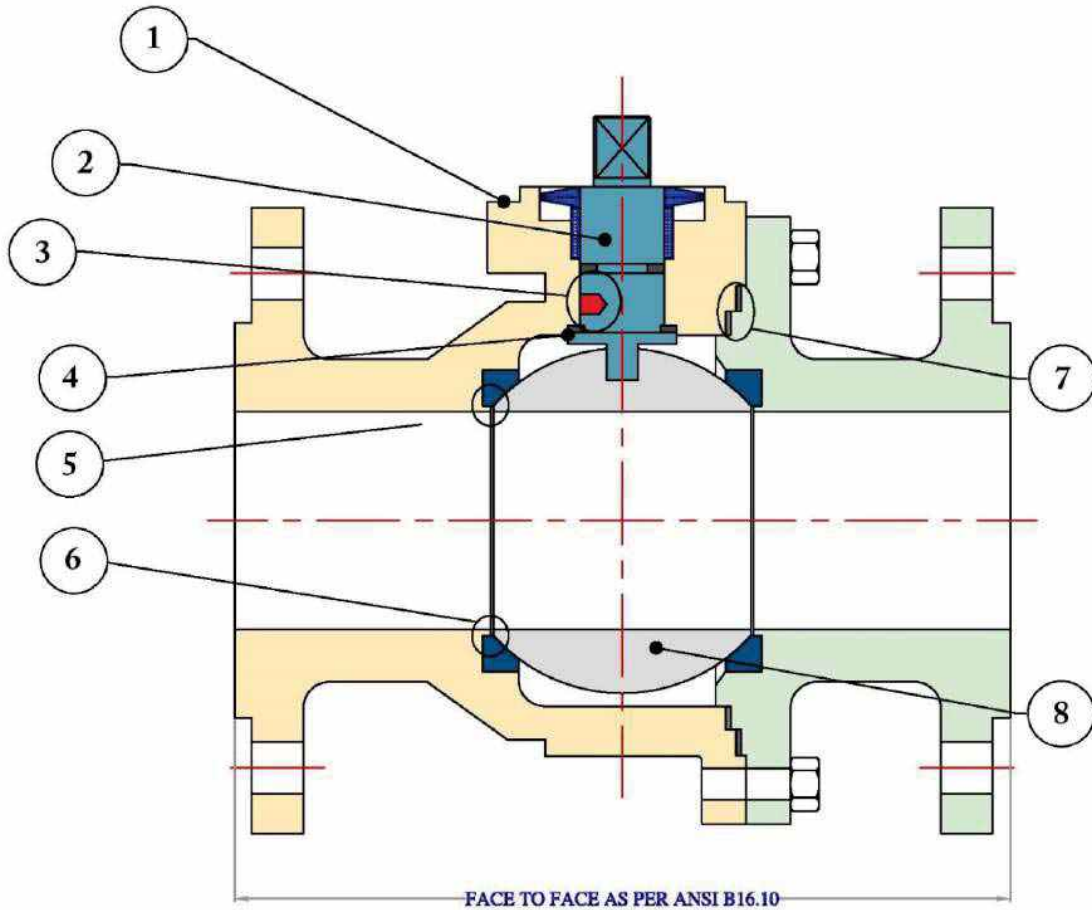


Limit Switch



Gear Box Operated

TWO PIECE SOFT SEATED BALL VALVE :

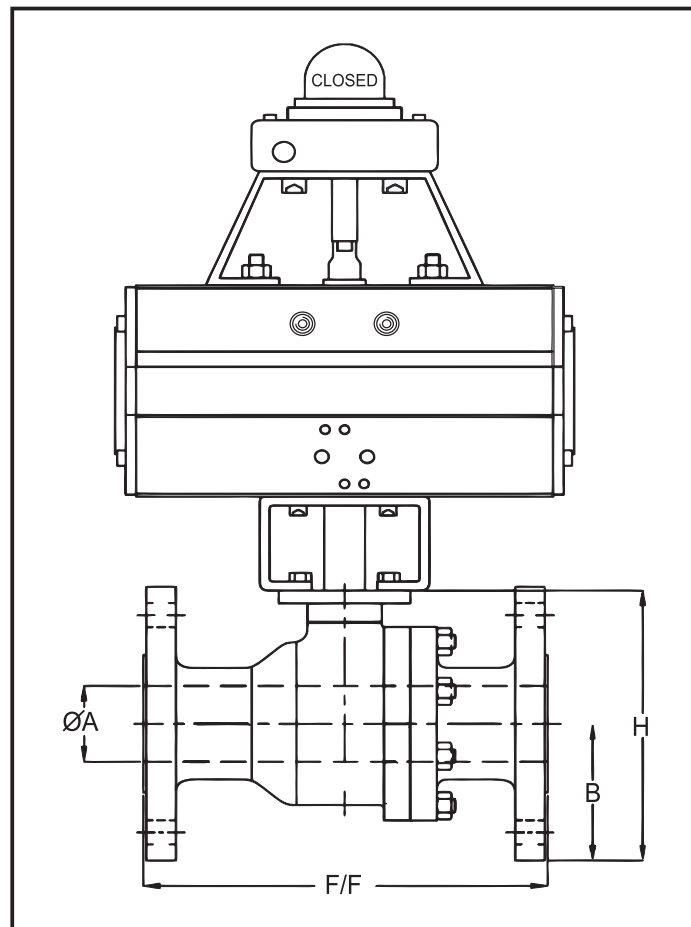


MATERIAL OF CONSTRUCTION AS PER CUSTOMER'S REQUIREMENT

VARIOUS END CONNECTION OPTIONS

VALVE OPERATION
GEAR OPERATOR OR ACTUATOR

PART LIST	
PART NO.	PART NAME
1	ACTUATOR MOUNTING PAD AS PER ISO-5211 IN METRIC / UNC
2	MULTIPLE STEM SEALING
3	ANTI-STATIC DEVICE
4	BLOW OUT PROOF STEM
5	FIRE SAFE DESIGN
6	SPECIALLY DESIGNED SEAT RING
7	DOUBLE BODY GASKET SEALING
8	HIGH SPHERICITY & EXCELLENT SURFACE FINISH OF BALLS GIVES POSITIVE SHUT-OFF



TWO PIECE SOFT SEATED BALL VALVE :

DIMENSIONS : (All Dimensions are in mm)

VALVE SIZE	150# CLASS			
	F / F ± 2	Ø A ± 2	B ± 3	H ± 20
DN 15	108	12.5	45	74
DN 20	117	18	50	86
DN 25	127	25	54	97
DN 40	165	38	64	120
DN 50	178	50	77	162
DN 65	190	62	89	173
DN 80	203	76	96	194
DN 100	229	102	115	227
DN 150	267	152	140	394
DN 200	292	203	172	510

VALVE SIZE	300# CLASS			
	F / F ± 2	Ø A ± 2	B ± 3	H ± 20
DN 15	140	12.5	48	74
DN 20	152	18	59	86
DN 25	165	25	62	97
DN 40	190	38	78	120
DN 50	216	50	83	162
DN 65	241	62	96	173
DN 80	282	76	105	194
DN 100	305	102	127	227
DN 150	403	152	159	394
DN 200	419	203	191	510



Corporate Office :

C-519, 215 Atrium,
Andheri Kurla Road,
Chakala, Andheri (East),
Mumbai - 400 093 (India)

Factory Address :

W-125, MIDC,
Tarapur, Boisar
Dist : Palghar - 401506
Maharashtra (India)

Tel: +91-22-4973 3100 / 4973 3101 / 4973 3102
+91 9619631307

URL : www.tecnikvalves.com
E-mail: sales@technik.in

FEB/2024