

GLOBE 3 WAY VALVE SERIES: UNICON 3000 & 3100

The UNICON 3100 & 3000 series is a Three way control valve mixing design (2 inlets, 1 outlet) or diverting design (1 inlet, 2 outlets). Designed for grant accurate andreliable control. The 3000 & 3100 series can be provided with pneumatic actuators or electric actuators to satisfy all the control needs of numerous industrial requirements. They can be used for water, superheated water, saturated steam, oil, gases and other fluids as long as compatible with selected materials.

APPLICATION

- Thermic Fluid
- Steam
- Organic Liquid
- Glycol
- Contaminated Water

KEY FEATURES:

- Tight shut-off Standard leakage class IV.
- Reduced & hardened trims.
- Bellows seal to meet zero emission.
- Extended bonnet for low temperature.
- Variety actuators to handle different pressure drops.

PRODUCT SPECIFICATION:

- Valve Size : NPS 1/2" to 12" (DN 15 to DN 300)
- Body Rating : ANSI CLASS 150# & 300#
- Leakage Class : Class IV
- Flow Characteristics : Linear
- Temperature Range : -190°C to + 590°C
- End Connection : Flanged End

DESIGN STANDARD:

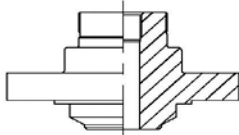
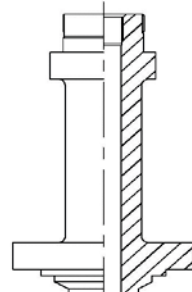
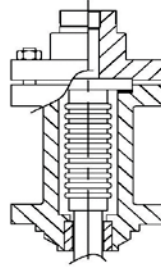
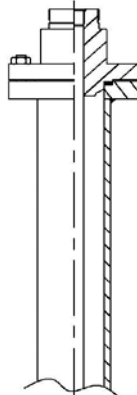
- Design Standard : ASME B16.34 & SFS EN 12516
- Testing Standard : ANSI / FCI 70-2
- Face to Face : ISA - 75.08.01
- Flange Fitting : ANSI B16.5, 150#& 300#



GLOBE 3 WAY VALVE SERIES: UNICON 3000 & 3100

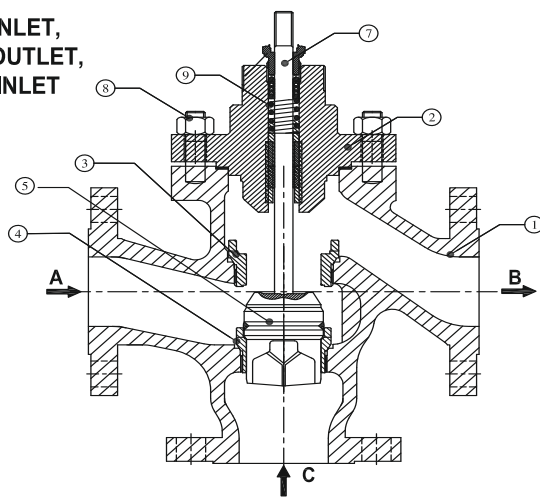
BONNET TYPE:

BONNET STYLES

 <p>STANDARD BONNET The Standard bonnet is usually constructed of the same material as the body and is suitable for a temperature range from -26°C to 200°C.</p>	 <p>EXTENDED BONNET The Extended bonnet protects the packing from excessive heat or cold which may affect the valve performance. This bonnet is suitable for temperature range from -46°C to 380°C.</p>
 <p>BELLOW SEAL BONNET The Bellow seal bonnet design ensures absolute sealing of the process fluid within their rated pressure and temperature ranges. Usual application includes where process fluid is flammable, toxic, explosive or highly expensive. Suitable for temperature range from -46°C to 430°C.</p>	 <p>CRYOGENIC BONNET This construction of bonnet protects the packing from the low temperature service fluid. Typically manufactured from SS 316 / 316L, which can withstand temperature upto -196°C.</p>

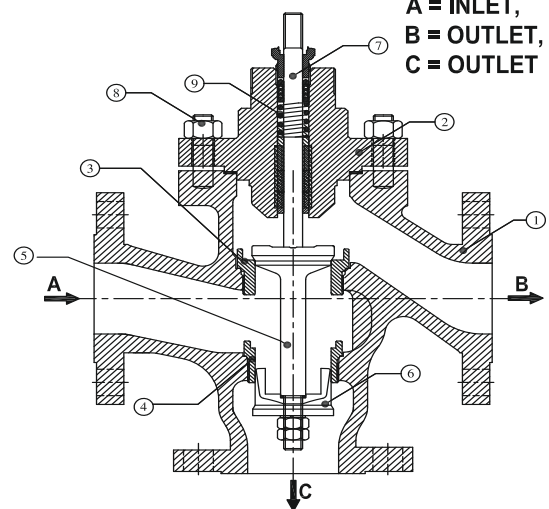
OPERATIONAL TYPE:

A = INLET,
B = OUTLET,
C = INLET



MIXING TYPE

A = INLET,
B = OUTLET,
C = OUTLET



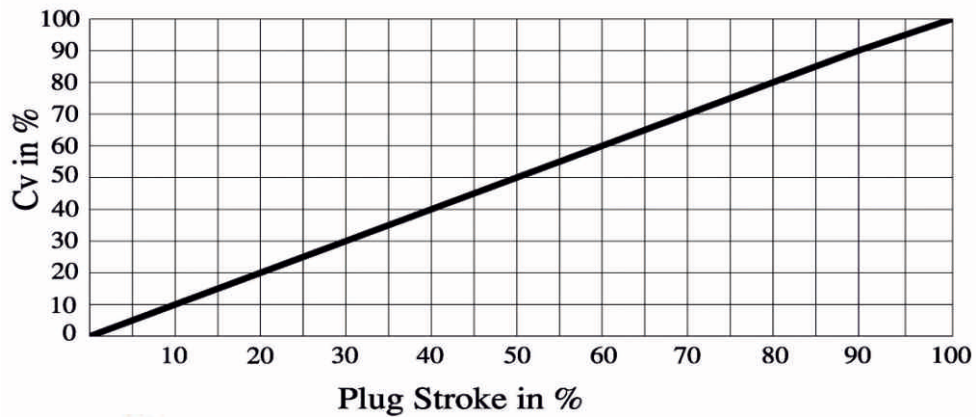
DIVERTING TYPE

Parts :			
1	Valve Body	6	Lower Plug
2	Bonnet	7	Valve Stem
3	Upper Seat	8	Body Studs & Nuts
4	Lower Seat	9	Packing
5	Upper Plug		

GLOBE 3 WAY VALVE SERIES: UNICON 3000 & 3100

TRIMS:

Linear Characteristic	
Valves with linear characteristic provide a flow rate directly proportional to travel.	
Seal	Metal seat tightness - Class IV



**LINEAR TYPE FOR MIXING PLUG
UNICON 3100**



**LINEAR TYPE FOR DIVERGING PLUG
UNICON 3000**

Cv	0.1	0.2	0.3	0.5	0.8	1.3	2	3	5	8	13	20	32	50	75	100	125	190	240	320	430	615	920	1400						
VALVE SIZE	1/2"										1"		1.1/2"		2"		2.1/2"		3"		4"		6"		8"		10"		12"	

NOTES:

- Cv : Valve flow coefficient
- The values shown in the table for Cv is in US GPM units.
- Reduced trim sizes are also available in various combinations.
- Special Cv available on request.

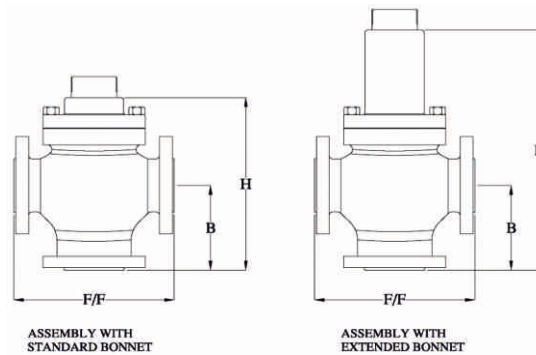
ACTUATOR TYPE:

- Pneumatic Diaphragm Actuator
- Pneumatic Cylinder Actuator
- Electrical Actuator

ACCESSORIES:

- Pneumatic valve positioned
- Air filter regulator
- Limit switches
- Solenoid valves

DIMENSIONS DETAILS:



VALVE SIZE		F / F		B	H	
INCH	DN	150#	300#		STANDARD BONNET	EXTENDED BONNET
1/2	15	184	190	92	116	215
1	25	184	197	92	116	215
1.1/2	40	222	235	113	137	269
2	50	254	267	128	137	269
2.1/2	65	276	292	139	161	297
3	80	298	318	167	171	307
4	100	352	368	187	191	354
6	150	451	473	240	237	382
8	200	543	568	350	317	446
10	250	673	708	490	490	578
12	300	737	775	535	511	600



TECNİK VALVES PVT. LTD.

Corporate Office :

C-519, 215 Atrium, Andheri Kurla Road,
Chakala, Andheri (East), Mumbai - 400 093
Maharashtra (INDIA).

Factory Address :

W-124, 125, MIDC Boisar,
Dist. Palghar - 401 506
Maharashtra (INDIA)

Tel: +91 22 4973 3100 / 3101 / 3102

E-mail : info@tecnik.in

URL : www.tecnik.in / www.tecnikvalves.com