

Tecnik's series UNICON 8000 Butterfly Valve designed for where shut-off, control valves & the pressure drops required of the valves are relatively low. Butterfly valves allow high flows with relatively low pressure loss from the valves. These valves ideal for applications such as in soft drink and food processing, fuel, oil & gas industrial applications.

APPLICATION :

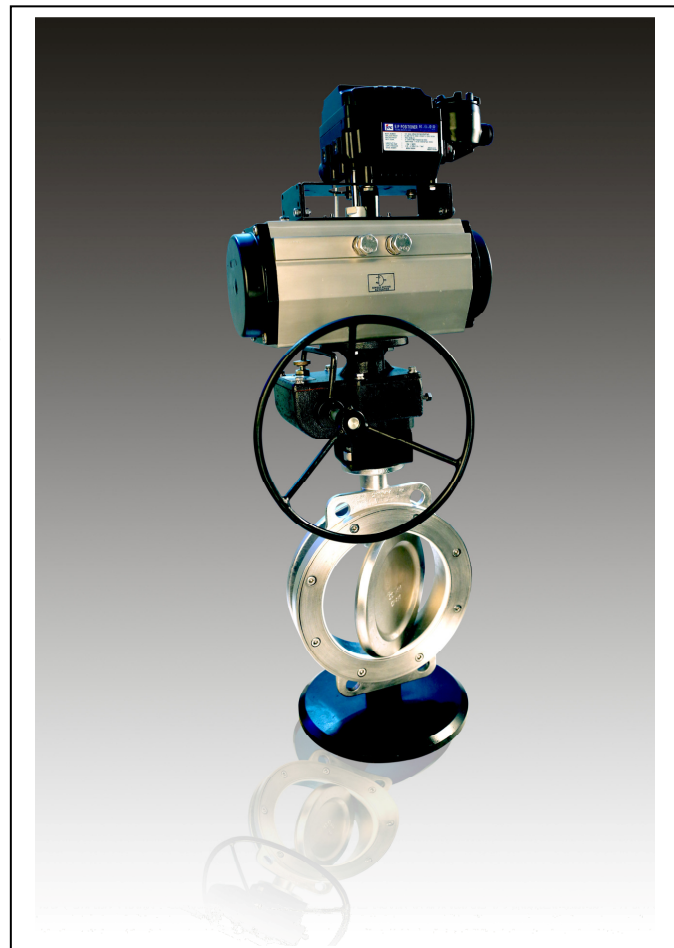
- Power generation industry.
- Swimming pool technology.
- Chemical and petrochemical industry.
- Food industry.
- Materials handling technology.
- Gas control equipment.
- Shipbuilding.
- Seawater desalination.
- Building services engineering.
- Water and wastewater technology.

KEY FEATURES :

- The valve body and disc are accurately machined which results in low operating torque and long service life and reliability.
- Shut-off and control of gaseous and liquid media.
- Disc and shaft have double eccentric bearing.
- Centering pieces can be used as installation aid.
- Maintenance free.
- Absolutely tight sealing with flow in either direction.
- Can be installed in any desired position.
- Long service life, even at high switching frequencies.
- Can be disassembled, material specific recycling possible.

PRODUCT SPECIFICATION :

- Valve Size : NPS 2" to 12"
- Body Rating : ASME B16.5, CLASS 150#
- Leakage Class : VI (Soft Seated)
- Flow Characteristics : Throttling, ON-OFF
- Temperature Range : -60 °C to + 600 °C
- End Connection : Wafer Type



DESIGN STANDARD :

- Design Standard : BS EN 593:2004 / BS 5351
- Testing Standard : BS EN 12266-1 & 2 (2003) / API 598
- Face to Face : API 609 (See Table No. 1)
- Top Flange : ISO 5211
- Flange Fitting : ANSI B16.5, 150#

DESIGN FLEXIBILITY :

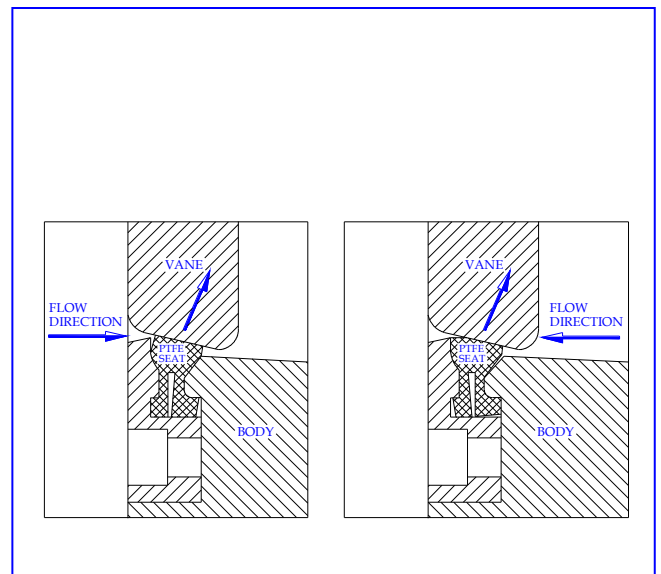
- Can be operated by manual, electric, pneumatic or hydraulic actuators.
- Every valve has a mounting flange according to ISO 5211 which simplifies the mounting of any actuator built to this standard.
- Full range of body and disc material options, with availability of hard facing.
- More compact than globe valve.
- Lighter in weight due to the compact design.
- High flow co-efficient.

SEAT DESIGN FLEXIBILITY :

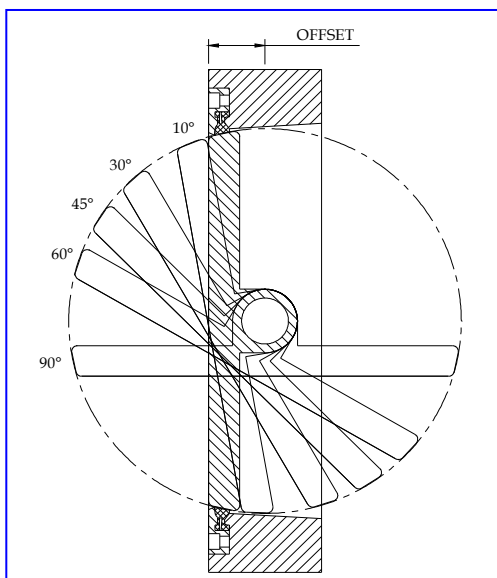
- Flexible PTFE
- Flexible Metal (Class IV)
- Fire Safe Seats.

GLAND PACKING :

- Low fugitive emission gland packing.
- In house helium leak test available on request.



**SEALING DESIGN IN BOTH
FLOW DIRECTIONS**



**OFFSET DESIGN INDICATING
POSITIONS OF VALVE OPENING**

ACTUATED BUTTERFLY VALVE :-

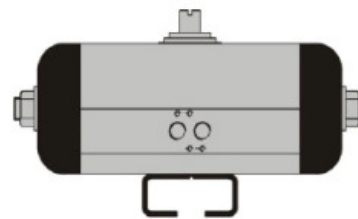
We are offering a wide range of actuated butterfly valve with pneumatic actuated with all accessories like limit switch, solenoid valves and inter tubing our butterfly valves are mainly supplied to thermal power plants in various part of India. We offer very good quality products as per international standards and we offer short time delivery. Our products are well known for its quality and reliability.

PAD DETAILS :

- Top flange butterfly valves are designed as per EN ISO 5211 for direct mounting of actuators and gear operators. Top flange design provides easy access for adjustment of gland bolts when the butterfly valve is mounted with actuators.
- Body joint bolting is in ASTM A 193 B7 / ASTM A 194 2H material for carbon steel bodies and ASTM A 193 Gr. B8 / ASTM A 194 Gr. 8 Material for stainless steel bodies.

ACTUATOR TYPE :

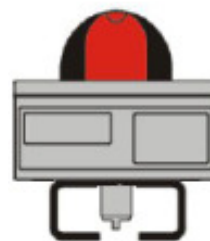
- Rack and pinion type
- Single and double acting type
- Pneumatic diaphragm actuator



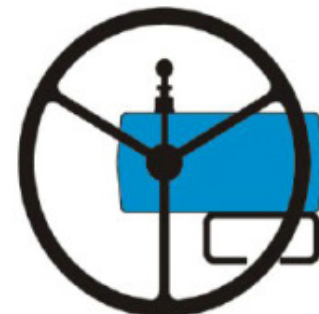
Actuator Operated

ACCESSORIES :

- Pneumatic valve positioner
- Electro - Pneumatic valve positioner
- Air filter regulator
- Solenoid valve
- Limit switches
- Side mounted handwheel
- Other accessories available on request

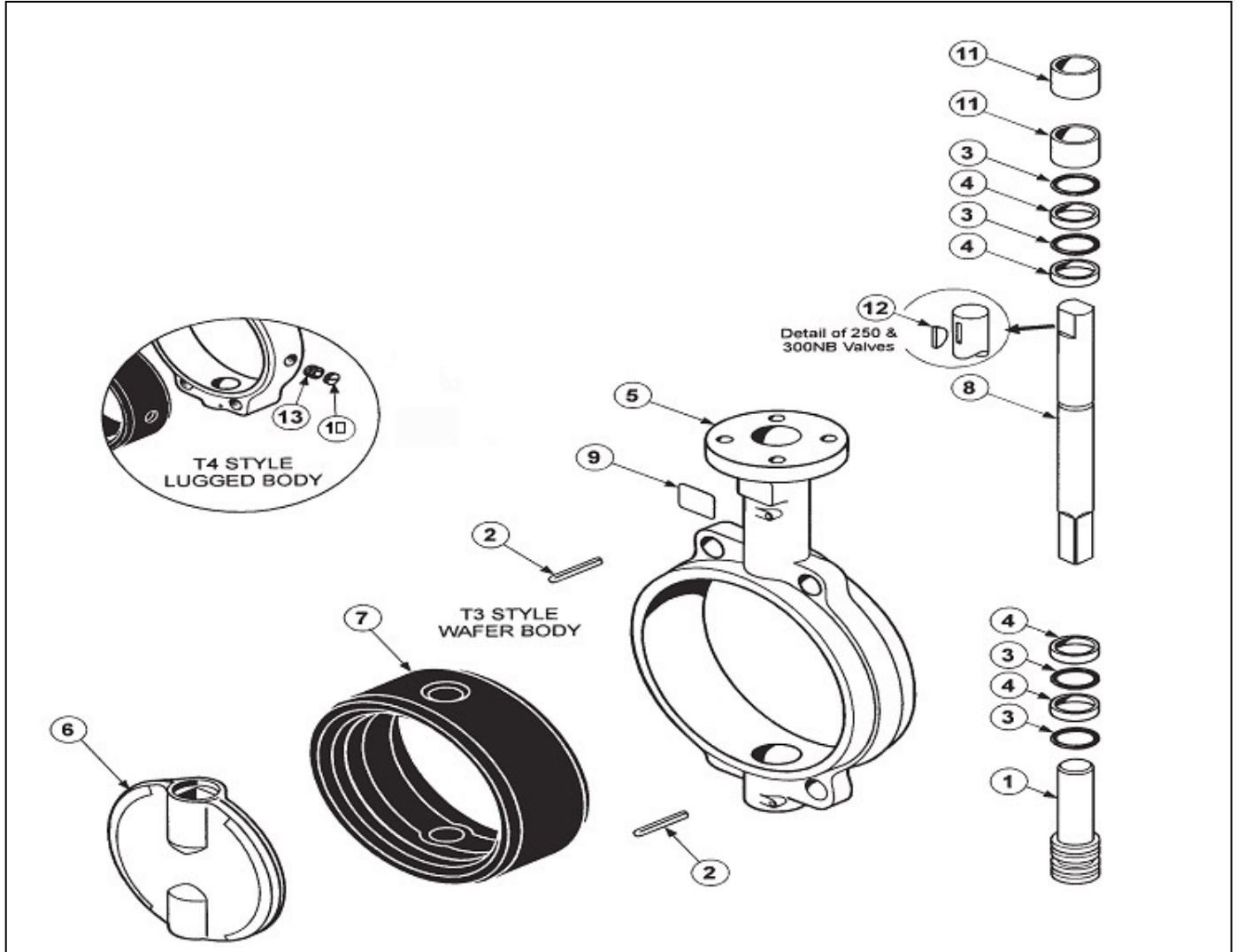


Limit Switch

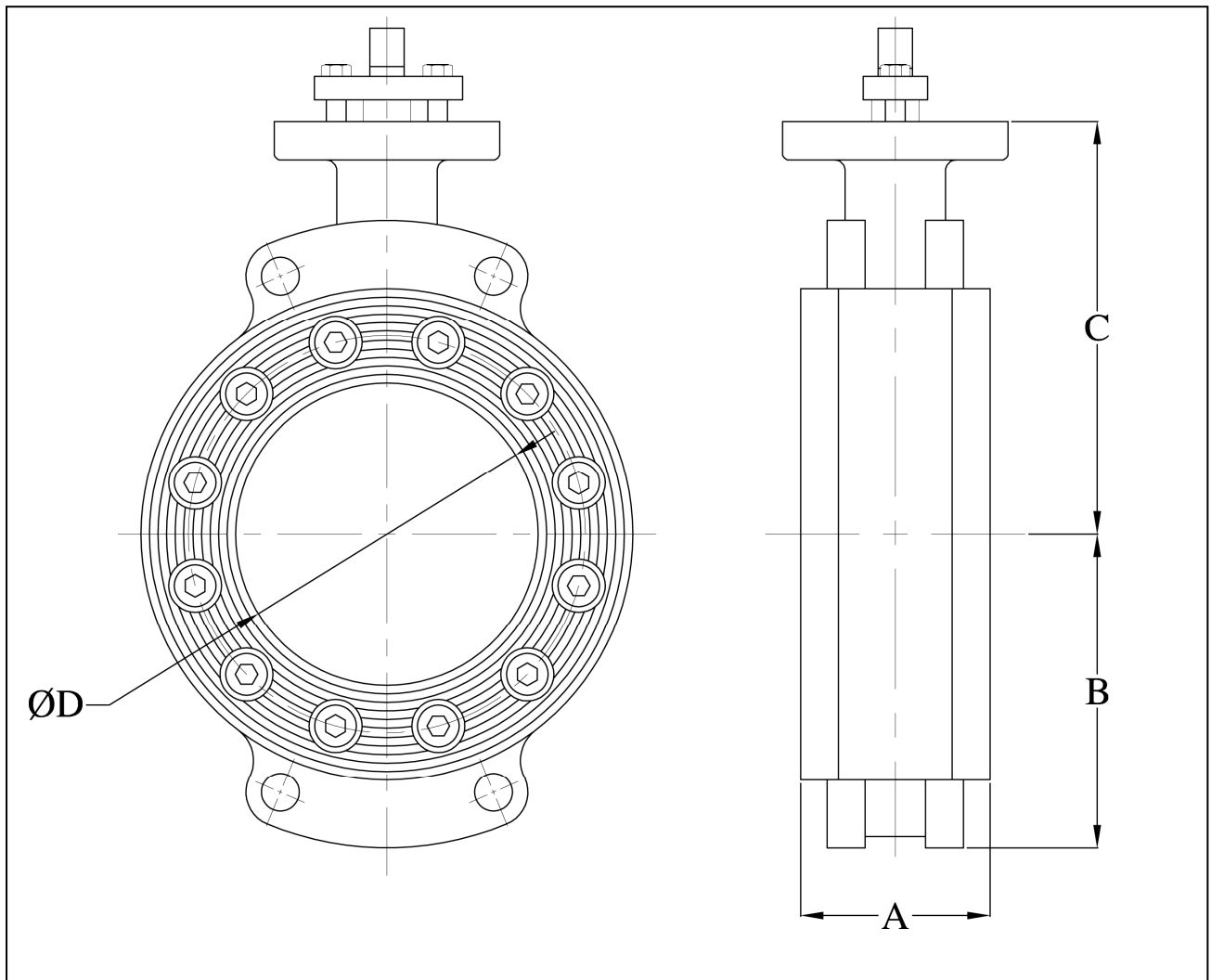


Gear Box Operated

PART LIST :



PART NO.	PART NAME	QTY.	PART NO.	PART NAME	QTY.
1	LOWER STEM	1	8	UPPER STEM	1
2	STEM RETAINING PIN	2	9	NAME PLATE	1
3	'O' RING	6	10	PLUG SCREW LUGGED VALVES ONLY	2-6
4	SMALL STEM BUSH	4			
5	BODY	1	11	LARGE STEM BUSH	2
6	DISC	1	12	STEM DRIVE KEY	1
7	SEAT	1	13	SEAT RETAINING SCREW LUGGED VALVES ONLY	2-6



DIMENSIONS : (All dimensions are in mm)

VALVE SIZE	$A \pm 3$	$\varnothing D \pm 2$	$B \pm 20$	$C \pm 20$
DN 50	43	50	60	105
DN 80	48	76	75	140
DN 100	54	100	90	150
DN 150	57	150	130	170
DN 200	64	200	155	200
DN 250	71	240	195	265
DN 300	81	291	220	295



TECNIK VALVES PVT. LTD.

Plot no. A-111, 18th Road, Wagle Industrial
Estate, Thane West – 400 604
Maharashtra (INDIA)

W-124, 125, MIDC Boisar,
Dist. Palghar – 401 506
Maharashtra (INDIA)

Tel: +91 22 2580 3311 / 3111 / 3100

E-mail : info@tecnik.in

URL : www.tecnik.in / www.tecnikvalves.com